



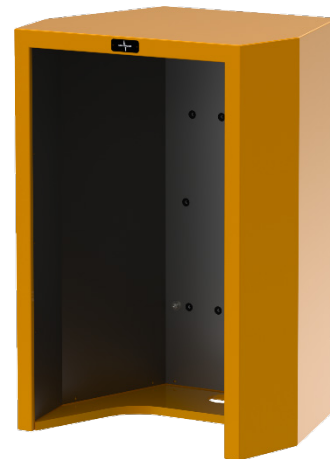
1 AH 001

ACOUSTIC HOOD

DESIGNED FOR INDOORS AND OUTDOORS IN NOISY ENVIRONMENTS

The acoustic hood is used for noise reduction in extremely noisy environments. It ensures a high level of noise insulation and thus allows clear and understandable communication using INDUSTRONIC communication equipment.

Including integrated mounting options for intercom station accessories such as a handset and an expansion unit.



- Suitable for indoors and outdoors or where privacy is required
- Acoustic hood made of glass-fiber reinforced plastics (GRP)
- Robust and torsion-resistant design
- Inner material is flame-retardant
- Up to 30 dB noise reduction
- UV resistant
- Resistant to corrosion in maritime, salty atmospheres
- Recess on the bottom plate for cable entry
- Suitable for use with INDUSTRONIC intercom stations of the DA(E)/DX(E) 0x5, DA(E)/DX(E) 7x5 and NRO xx2 series and additionally expansion units of the type DAZ 005 / NOAK 001 or a handset

TECHNICAL DATA

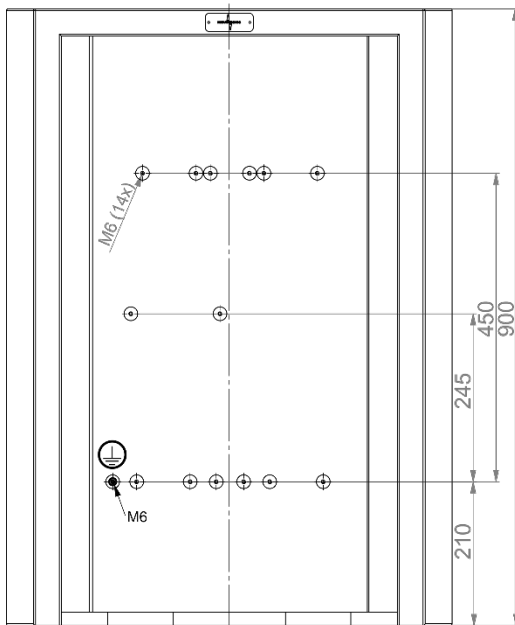
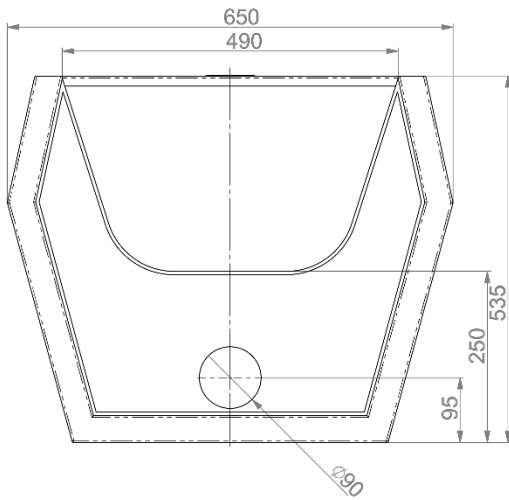
Outer material	Glass-fiber reinforced plastic (GRP)
Inner lining	1.5 mm SUS304 perforated plate
Insulation	Flame-retardant, sound-absorbing, mineral fiber panels
Noise reduction	Up to 30 dB
Width x height x depth	650 mm x 900 mm x 535 mm (25.59" x 35.43" x 21.06")
Weight	Approx. 35 kg (approx. 77.16 lbs)
Ambient temperature	-40 °C to +85 °C (-40 °F to +185 °F)
Color*	Orange (RAL 2004), Yellow (RAL 1018) with black stripes (RAL 9005, 45° / 100 mm wide)

*other colors on request

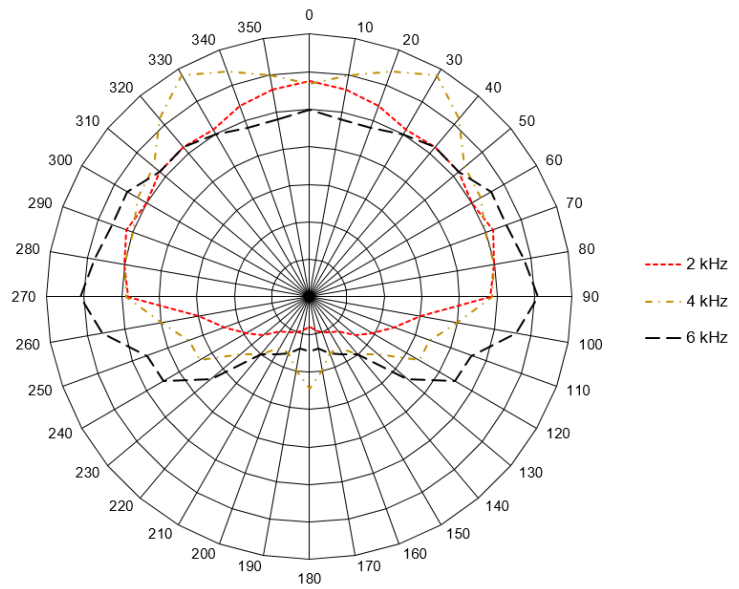
SCOPE OF SUPPLY

- 1 x acoustic hood
- 1 x mounting material for intercom stations and accessories

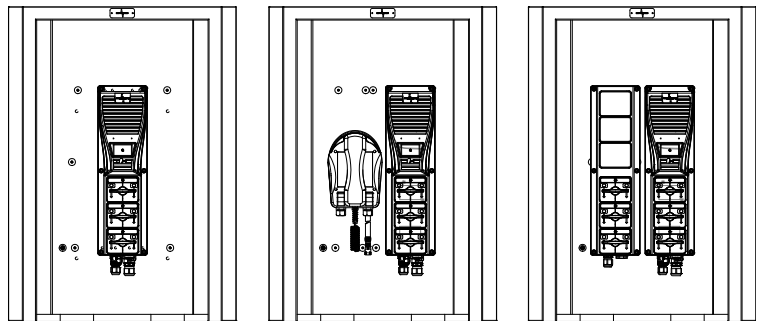
DIMENSIONS



POLAR DIAGRAM



MOUNTING OPTIONS



ACCESSORY

Description	Type Number
Wall mounting kit for 1 AH 001	070-900-100

ORDER DATA

Color	Type Number
Orange	070-201-002/OG
Yellow with black stripes	070-201-002/YB

© INDUSTRIONIC